

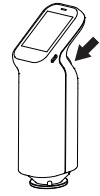


## 快速使用教程

### 1.扫描二维码获取手机App及操作说明



### 2.开机及校准



开机



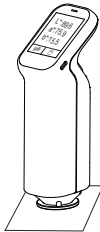
将仪器放到校准底座进行白校准



将仪器对准空气进行黑校准

离地  
1米以上

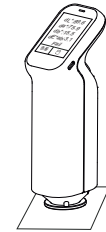
### 3.如何测色差



测标准

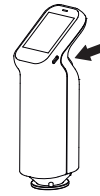


切换到色差测量界面

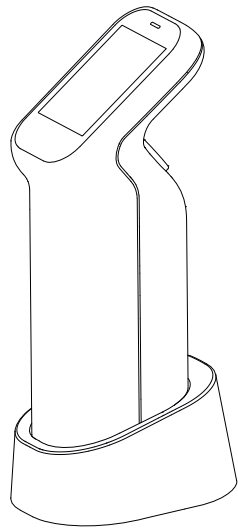


测样品,得出色差

### 4.关机



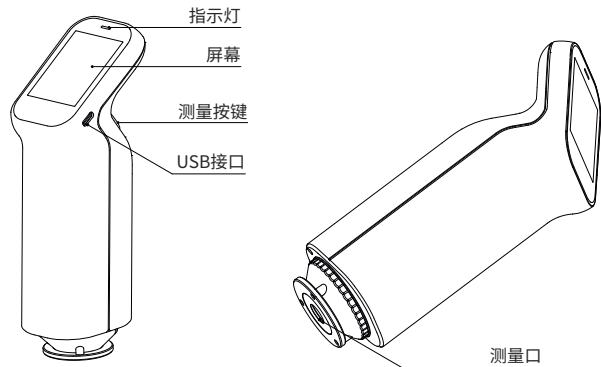
长按3秒



## 分光色差仪CS-421 使用说明书

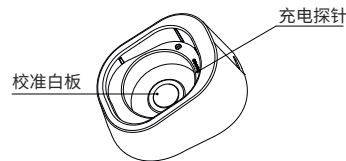
## 产品介绍

使用产品前请仔细阅读本说明书,并妥善保管



主机

测量口



校准充电底座

## 基础参数

产品型号: CS-421  
测量结构: D/8,SCI/SCE(漫射照明/8°方向接收,包含镜面反射/去除镜面反射)  
符合标准: 符合标准CIE No.15,GB/T 3978,GB 2893  
GB/T 18833,ISO7724-1,ASTM E1164,DIN5033 Teil7  
分光方式: 集成光学器件  
感 应 器: CMOS感应器  
测量指标: 光谱反射率

CIE-Lab,CIE-LCh,HunterLab,CIE-Luv,XYZ,Yxy,RGB  
色差( $\Delta E^*ab$ , $\Delta E^*cmc$ , $\Delta E^*94$ , $\Delta E^*00$ )  
白度(ASTM E313-00,ASTM E313-73,CIE/ISO  
AATCC,Hunter,TaubeBerger,Stensby,R457)  
黄度(ASTM D1925,ASTM E313-00,ASTM E313-73)  
黑度(My,dM),沾色牢度,变色牢度,Tint(ASTM E313-00)  
色密度CMYK(A,T,E,M),同色异谱指数MilM  
孟塞尔,遮盖力,力份(染料强度,着色力)

积分球直径: 40mm  
照明光源: LED(全波段均衡LED光源)+UV  
测量/照明口径:  $\Phi 4\text{mm}/\Phi 6\text{mm}$   
波长间隔: 10nm  
波长范围: 400-700nm  
反射率测定范围: 0-200%  
反射率分辨率: 0.01%  
测量精度: 0.01  
测量稳定性: 色度值: 标准偏差 $\Delta E^*ab \leq 0.03$   
平均值 $\Delta E^*ab \leq 0.04$ ;最大值 $\Delta E^*ab \leq 0.06$   
(白板校准后以5秒间隔测量白板30次)

台 间 差:  $\Delta E^*ab \leq 0.4$  (BCRA II 系列12块色砖测量平均值)  
测量时间: 约1秒  
接 口: USB, 蓝牙  
光源条件: A,B,C,D50,D55,D65,D75,F1,F2,F3,F4,F5,F6,F7,F8,F9,F10  
F11,F12,CWF,U30,U35,DLF,NBF,TL83,TL84

视 场 角:  $2^\circ, 10^\circ$   
屏 幕: IPS全彩屏幕,2.4英寸  
电池容量: 单次充电可连续测量8000次,3.7V/3000mAh  
光源寿命: 10年100万次  
语 言: 简体中文,英语  
校 准: 自动校准  
软件支持: Android,iOS,Windows  
摄像头取景定位: 有  
重 量: 约280g  
体 积: 180mm\*60mm\*51mm  
是否能过计量: 可过计量  
存 储: App海量存储

\*参数如有修改,恕不另行通知

## 保修说明

本产品售后服务严格依据《中华人民共和国消费者权益保护法》、《中华人民共和国产品质量法》实行售后三包服务,服务内容如下:

- 1、自您签收日起7日内,本产品出现《产品性能故障表》所列性能故障的情况,经由本司售后服务中心检测确定,可免费享受退货或换货服务;
- 2、自您签收日起8-15日内,本产品出现《产品性能故障表》所列性能故障的情况,经由本司售后服务中心检测确定,可免费享受换货或维修服务;
- 3、自您签收日起36个月内,本产品出现《产品性能故障表》所列性能故障的情况,经由本司售后服务中心检测确定,可免费享受维修服务。

### 提示信息

因运输过程中需用包装箱保证产品运输安全,建议自签收日起至少保留包装箱30天。

### 非保修条例

- 1、未经授权的维修、误用、碰撞、疏忽、滥用、进液、事故、改动、使用非本产品配件,或撕毁涂改标签、防伪标记;
- 2、已超过三包有效期;
- 3、因不可抗力造成的破坏;
- 4、不符合《产品性能故障表》所列性能故障的情况;
- 5、因人为原因导致非本产品及其配件产生《产品性能故障表》所列性能故障。

### 联系方式

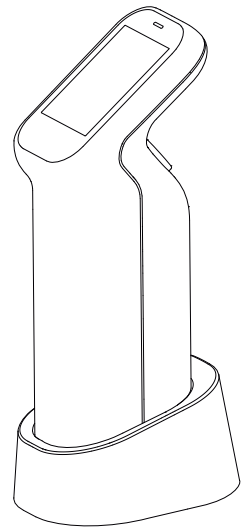
制 造 商: 杭州彩谱科技有限公司  
制造商地址: 浙江省杭州市江干区文渊北路166号  
客服热线: 4007-7272-81  
官方网址: www.hzcaipu.com

## 警告

- 请勿尝试拆卸或更换仪器内部零件,如需服务请联系代理商或官方客服。
- 请勿将仪器放置于热源或直接暴露在炉火旁。
- 若任何液体不小心进入仪器,请立即关闭仪器电源。
- 本产品及内部零件,如被儿童误食可能导致窒息等危险。

## 性能故障表

名称	性能故障
分光色差仪 CS-421	1、电源指示灯不亮(电池没电除外); 2、仪器开关卡滞,不能正常开关; 3、仪器显示器无法正常显示; 4、测量光源不亮; 5、蓝牙无法连接。



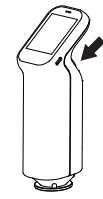
## Spectral Colorimeter CS-421 Operation Instruction

### Quick Start

1.Scan QR code to get mobile App



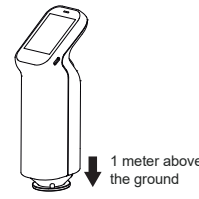
2.Power on Calibration



Power on



Place the instrument on the calibration base for white calibration.



Measure air for black calibration

3.How to measure color difference



Measure Target



Enter into color difference measurement interface



Measure sample to get the color difference

4.Power off



Long press 3s

### Parameters

Product Name: CS-421  
 GeoMetry and Angle: d/8 (diffused illumination,8 degree viewing)  
 SCI (specular component included)  
 +SCE (specular component excluded)  
 Standards compliant: Conform to standard CIE No.15, GB/T 3978, GB 2 GB/T 18833,ISO7724-1,ASTM E1164,DIN5033 Teil7  
 Spectroscopic method: Integrated Optical Component  
 Sensor: CMOS sensor  
 Color Value: Reflectance  
 CIE-Lab,CIE-LCh,HunterLab,CIE-Luv,XYZ,Yxy,RGB  
 ColorDifference( $\Delta E^*ab, \Delta E^*cmc, \Delta E^*94, \Delta E^*00$ )  
 WI(ASTM E313-00,ASTM E313-73,CIE/ISO  
 AATCC,Hunter, TaubeBerger,Stensby,R457),YI(ASTM D1925  
 ASTM E313-00,ASTM E313-73),Blackness (My,dM) ,Color Fastness  
 Tint(ASTM E313-00),Color Density (CMYK(A,T,E,M)) ,Milm  
 Munsell,Opacity,ColorStrength  
 Integrating sphere diameter: 40mm  
 Lighting source: LED(Full band balanced LED light source)  
 Measurement Area/ Aperture Size:  $\Phi 4mm/\Phi 6mm$   
 Wavelength Interval: 10nm  
 Wavelength Range: 400-700nm  
 Reflectance measurement range: 200%  
 Reflectance resolution: 0.01%  
 Measurement accuracy: 0.01  
 Repeatability: Chromaticity value: Standard deviation  $\Delta E^*ab \leq 0.03$   
 Average : $\Delta E^*ab \leq 0.04$ ;Max. : $\Delta E^*ab \leq 0.06$   
 (when a white tile is measured 30 times at 5-seconds interval)  
 Inter-instrument agreement: MAV/SCI, $\Delta E^*ab \leq 0.4$   
 (BCRA Series II ,average measurement of 12 tiles)  
 Measurement Time: About 1S  
 Interface: USB, Bluetooth  
 Illuminants: A,B,C,D50,D55,D65,D75,F1,F2,F3,F4,F5,F6  
 F7,F8,F9,F10,F11,F12,CWF,U30,U35,DLF,NBF,TL83,TL84  
 Observer Angle: 2°,10°  
 Screen: IPS full color screen, 2.4 inches  
 Battery: Rechargeable, 8,000 times continuous tests,3.7V /3000mAh  
 Light Source Lifetime: 10 years,3 million tests  
 Language: Chinese,English  
 Calibration: Automatic  
 Software support: Android/iOS/Windows  
 Camera: Yes  
 Weight: About 280g  
 Instrument Size: 180mm\*60mm\*51mm  
 Pass Metrology: Yes  
 Storage: App mass storage

### Warranty

#### Reminder

It is recommend that keep the packing box for at least 30 days as the packing box is required to ensure the safety of transportation.

#### Non warranty regulations

- 1.Unauthorized repair,misuse,accident,modification,use of nonofficial accessories.
- 2.Instrument is out of warranty.
- 3.Damage caused by force.
- 4.Not the performance failure listed in the product performance failure table.
- 5.Performance failure caused by human factors.

#### Contact

Manufacturer: Hangzhou CHNSpec Technology Co.,Ltd  
 Address: No.166,Wenyuan North Road,Jiangan District  
 Hangzhou,China  
 Tel: +86 571 85888707  
 Website: www.chnspec.com

### Warning

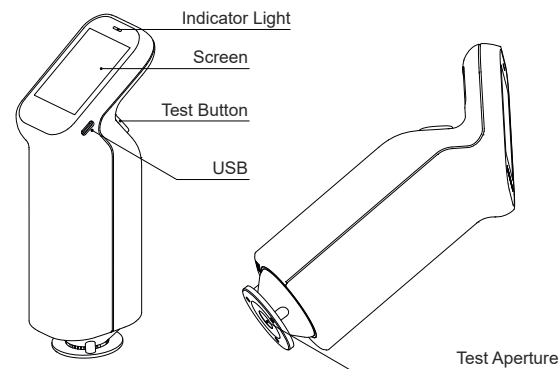
- .Do not attempt to disassemble or replace any part of the equipment.  
Please contact the agent or official customer service for after sales service.
- .Do not place the equipment near heat source or directly expose to the fire.
- .If any liquid enters the equipment,please power off the equipment immediately.
- .This product contains small parts.It may cause suffocation and other hazards,if swallowed by children.

### Product Performance Failure Table

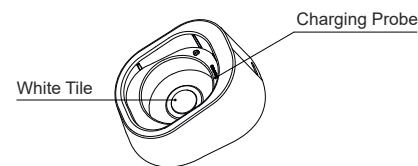
Name	Performance failure
Spectral Colorimeter CS-421	<ol style="list-style-type: none"> <li>1.The equipment can't power on.</li> <li>2.The equipment's button can't work normally.</li> <li>3.Equipment screen fails to work normally.</li> <li>4.Equipment lamp fails to work normally.</li> <li>5.Bluetooth can't connect.</li> </ol>

### Product introduction

Please read this manual carefully before using the product.



Instrument



Calibration and Charging Base

\*Parameters are subject to change without notice